

# BASE ANGLE CABINET ASSEMBLY INSTRUCTIONS

## Step 1 -

1. Lay cabinet side Panel (A) on a soft working surface with grooves facing upward. The grooves will be for the Bottom Panel (D).

## Step 2 -

1. Insert the other side Panel (A) into the grooves of Side Panels (A) and Bottom Panel (D) making sure clips are lined up and fully engaged. Insert locking screw into each clip pair and tighten all screws.

## Step 3 -

1. Attach one Front Face (M) onto Bottom Panel (D) and Side Panels (A) making sure panels fit into the grooves of the Front Face (M) and clips are lined up and fully engaged. Insert locking screw into each clip pair and tighten all screws.

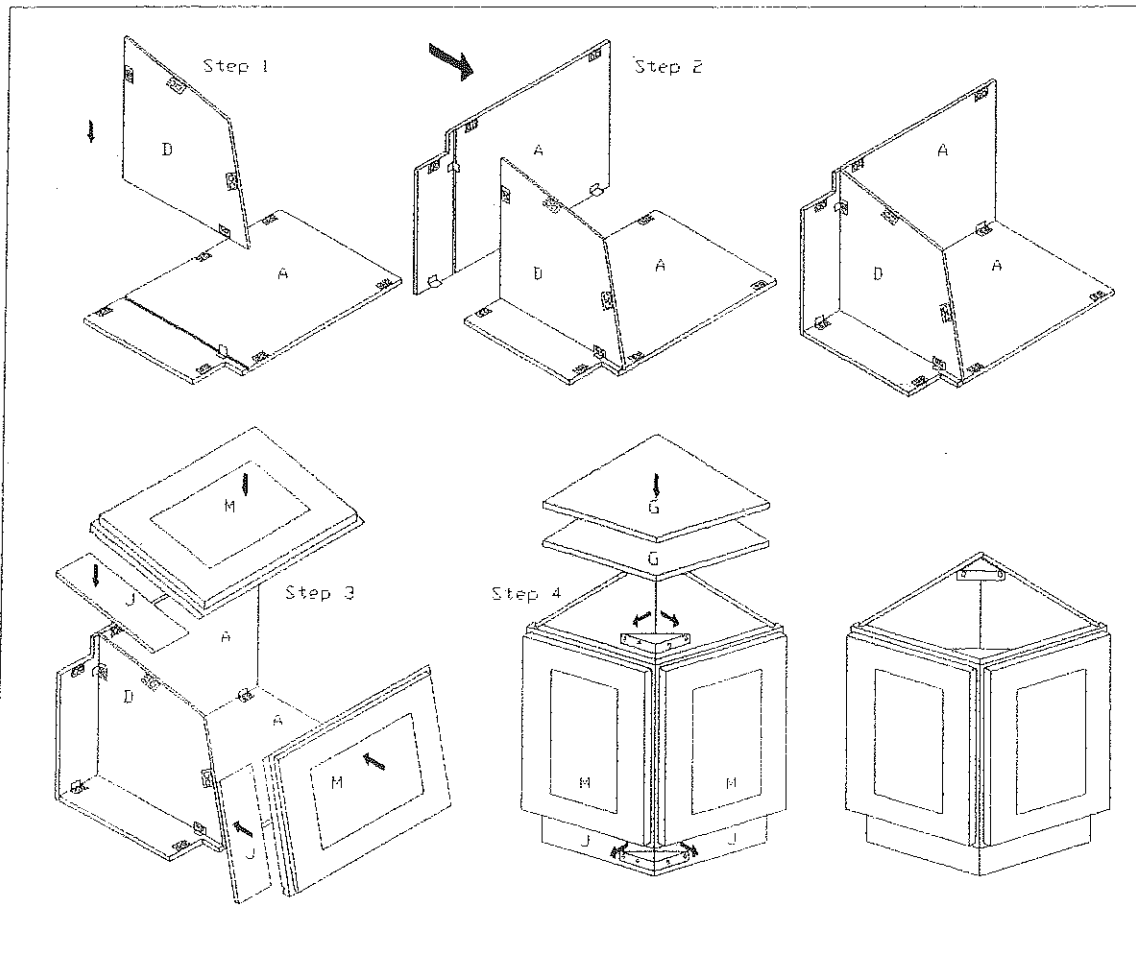
2. Attach Toe Kick Plate (J) to Side Panels (A) and Bottom panel (D) making sure clips are lined up and fully engaged. Insert locking screw into each clip pair and tighten all screws.

3. Repeat the step 2.1 and 2.2 to assemble the other front face (M) onto Bottom panel (D) and side panel (A)

## Step 4 -

1. Stand the cabinet upright, place each of the 2 plastic corner braces in the top and bottom corner of the cabinet, use screws to secure the braces to the panels.

2. Insert shelf clips into the pre-drilled holes on the side panel (A) at desired height and slide in the shelf (G) making sure the Front edge faces out.



| PARTS LIST: | ITEM                  | QTY |
|-------------|-----------------------|-----|
| A           | RIGHT/LEFT SIDE PANEL | 2   |
| D           | BOTTOM PANEL          | 1   |
| M           | FRONT FACE            | 2   |
| J           | TOE KICK PLATE        | 2   |
| G           | SHELF                 | 2   |
|             |                       |     |
|             |                       |     |

**PEAK** Home Products  
[www.peakhomeproducts.com](http://www.peakhomeproducts.com)