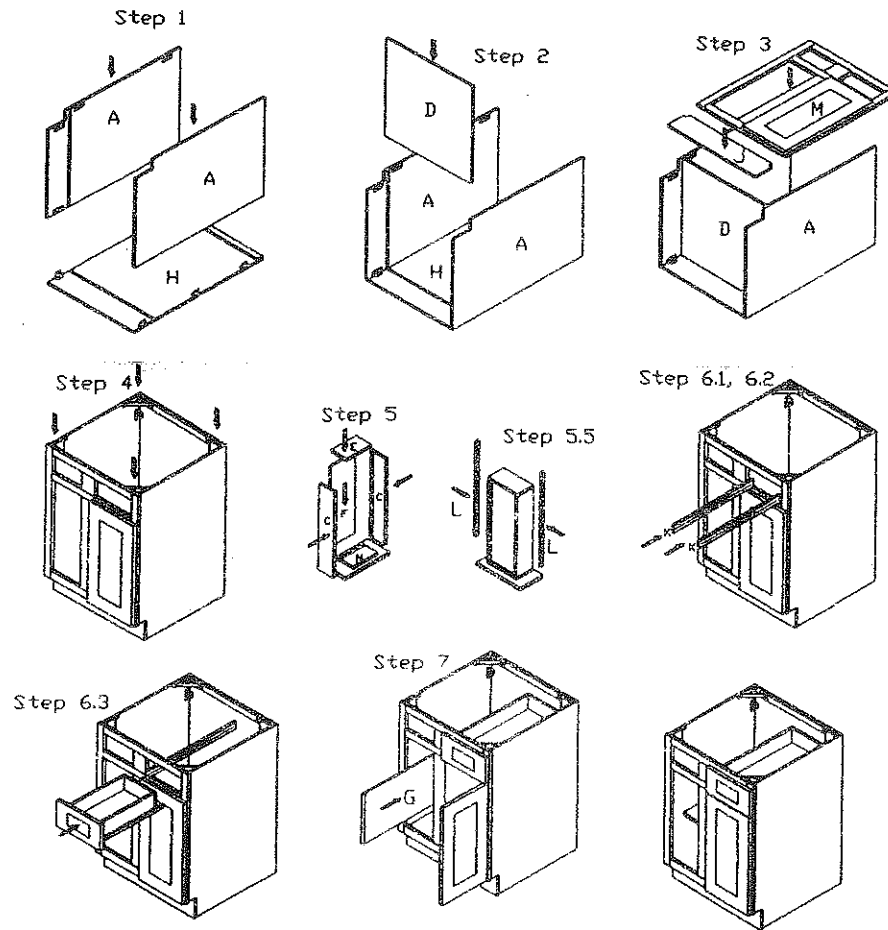


BASE BLIND CABINET ASSEMBLY INSTRUCTIONS



Step 1 -

1. Lay cabinet Back Panel (H) on a soft working surface with grooves facing upward. The grooves will be for the Bottom Panel (D).
2. Position the Left and Right Side Panels (A) to be flushed with the top of the Back Panel (H) making sure clips are lined up and fully engaged. Insert locking screw into each clip pair and tighten all screws.

Step 2 -

1. Insert Bottom Panel (D) into the grooves of Side Panels (A) and Back Panel (H)

Step 3 -

1. Attach Front Face (M) onto Bottom Panel (D) and Side Panels (A) making sure panels fit into the grooves of the Front Face (M) and clips are lined up and fully engaged. Insert locking screw into each clip pair and tighten all screws.
2. Attach Toe Kick Plate (J) to Side Panels (A) making sure clips are lined up and fully engaged. Insert locking screw into each clip pair and tighten all screws.

Step 4 -

1. Stand the cabinet upright, place each of the 4 plastic corner braces in each top corner of the cabinet, use screws to secure the braces to the panels.

Step 5 -

1. Lay a Drawer Front Panel (M) on a soft working surface with grooves facing upward. The grooves will be for the Drawer Bottom Panel (F).
2. Insert the Drawer Side Panels (C) to the dovetail grooves on the Drawer Front Panel (N) with all the dovetails engaged until flush. Tap with a rubber mallet if necessary.
3. Slide the Drawer Bottom Panel (F), finished surface faces upward, into the grooves of the Drawer Side Panels (C) and the Drawer Front Panel (N).
4. Attach Drawer Back Panel (E) to Drawer Side Panels (C) with all the dovetails engaged until flush.
5. Attach Drawer Slide - Drawer Members (L), to Drawer Side Panels (C) through pre-drilled holes with screws and tighten.

Step 6 -

1. Install Drawer Slide - Cabinet Members (K), by inserting the slide sockets barbed dowels into cabinet Back Panel (H) pre-drilled holes and use screws to attach the sockets to the Back Panel (H) through pre-drilled holes and tighten.
2. Attach Drawer Slide - Cabinet Members (K), to cabinet Side Panels (A) through pre-drilled holes with screws and tighten.
3. Slide drawers into drawer guides through the front of the cabinet.
4. Repeat Steps 5 and 6 for additional drawers.

Step 7 -

1. Insert shelf clips into the pre-drilled holes on the Side Panels (A) at desired height and slide in the Shelf (G) making sure the front edge faces out.

PARTS LIST:	ITEM	QTY
A	RIGHT/LEFT SIDE PANEL	2
D	BOTTOM PANEL	1
H	BACK PANEL	1
M	FRONT FACE	1
J	TOE KICK PLATE	1
C	DRAWER LEFT/RIGHT SIDE PANEL	2
N	DRAWER FRONT PANEL	1
E	DRAWER BACK PANEL	1
F	DRAWER BOTTOM PANEL	1
G	SHELF	1
L	DRAWER SLIDE-DRAWER MEMBER	2
K	DRAWER SLIDE-CABINET MEMBER	2