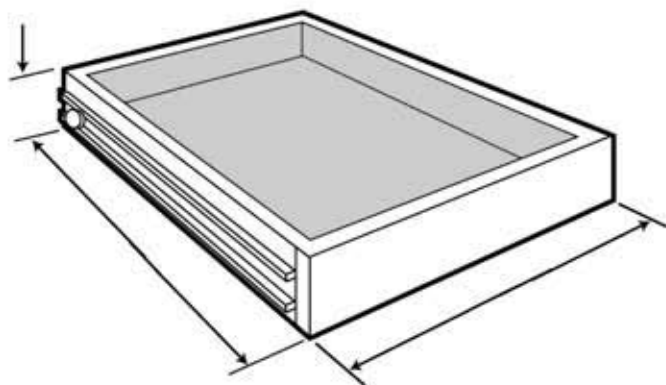


ROLL OUT TRAY Installation INSTRUCTIONS

Roll Out Tray Installation



1. Be sure that you ordered the correct size Roll Out Tray by ordering the corresponding Roll Out Tray to the width of the entire cabinet, NOT the width of the door opening.
2. Assemble the trays if they are not preassembled.
3. Rails come in 3 pieces: outside rail, slide rail two pieces together that can be separated.
4. Patience will be needed. Allow yourself time for installation.
5. Measure items to be placed on trays for distancing and add 2 inches. Write this down or sketch it out.
6. Start at the bottom and leave a ½ inch space from the floor of the cabinet to the tray/rail system. Work your way up the cabinet.
7. Mount the small wood blocks to the inside edge of the door opening. Note: Blocks cannot be installed over top of the hinges.
8. Slide the rear mounts onto the rails. Temporarily mount the rail to the front block to allow for placement of the rear rail bracket. Check with level and square. Mark. Remove rail.
9. NOTE: if the rails are not level and square, the drawer will not slide.
10. Drill pilot holes and mount rear rail brackets.
11. Slide the rail into the rear bracket and attach front to the block.
12. Attach remaining rails to drawer.
13. Slide drawer into place.
14. Check for proper operation and adjust as necessary.
15. Refer to your drawing/measurements for placement of next set of trays.
16. Repeat

Note: For pantries, we do not recommend roll out trays in the upper portion for safety reasons.



www.peakhomeproducts.com
info@peakhomeproducts.com
1.866.320.7325

